

Art R

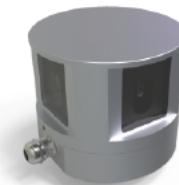
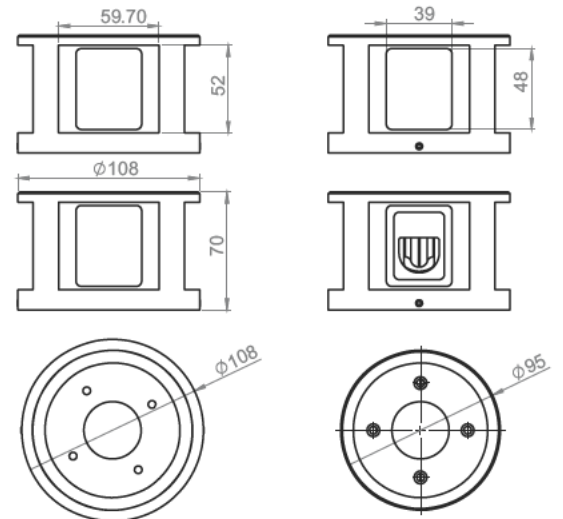
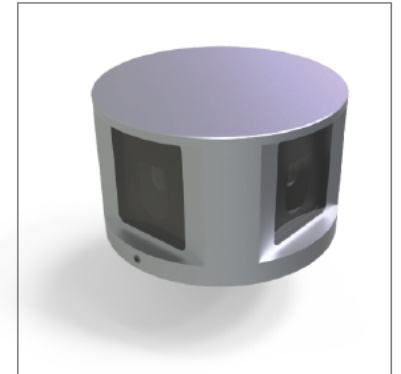
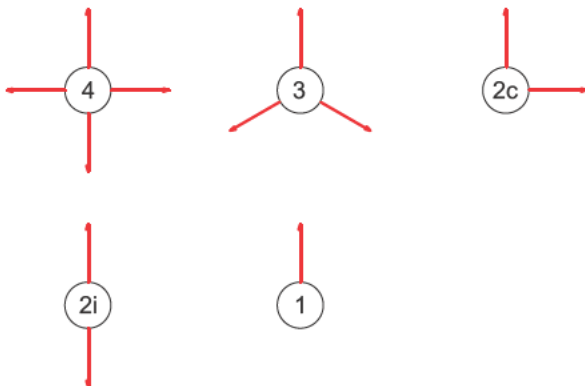
TECHNICAL DATA

Application	Surface mounted (wall)
Location	Outdoor
Light Source	LED
Optics	6°
LED Life time (L80B10)	50000 hours
Input Voltage / Current	100 240V AC
Connection details	Parallel (supply "P")
Installation	Wall mounted
Weight	1.200kg
Supply	24V DC. 48V DC, 100 240V AC(43 60Hz)
Wiring	Junction in supply box
Control Gear	In built
LED Module	High power LEDs on metal core PCB, Collimating lens made of optical polymer/pmma
Anti Glare	Option
Electrical Protection	EMC, Inrush current
Working Temperature	20°C +50°C
Lumen	490 lm/Window

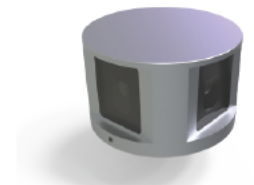
FINISHING

Materials	Heavy duty die cast aluminium
Finishing	Black
Diffuser	PMMA Diffuser
Color	White, Black, Grey

DIRECTION OPTIONS



Application Wire on Wall



Application Wire Open in Wall

Family	Type	DIRECTION	WATT	CCT	Optics	Finish	Power	Dimming	Options
AR-Art	R - Round	4	5W (Per window)	27-2700K	6 - 6°	WH - White	24DC - 24V Dc	ND - Non Dim	XXX
		3		30-3000K		BK - Black	48DC - 48V Dc	DX - Dmx	
		2c		40-4000K		GR - Grey	AC - 240V ac	DA - Dali	
		2i		60-6000K		XX - Custom	AN - 1-10V		
		1		RGB-RGB					
				RGBW - RGBW					

Sample: AR R 4 5W 27 6 WH AC ND XX