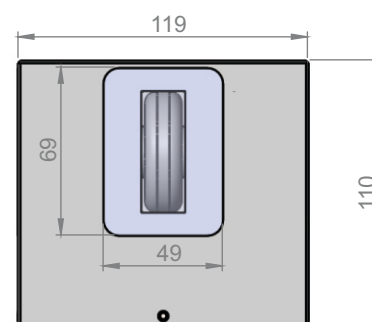
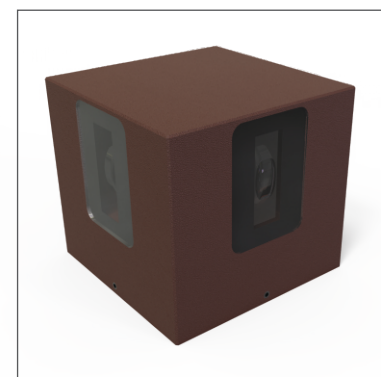


Art Q

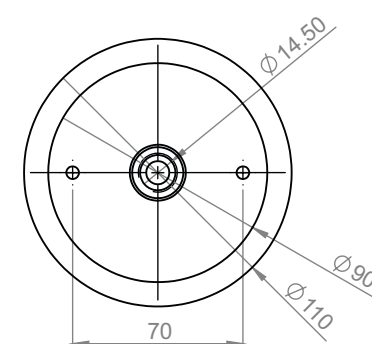
TECHNICAL DATA

Application	Surface mounted (wall)
Location	Outdoor
Light Source	LED
Optics	3°
LED Life time (L80B10)	50000 hours
Input Voltage / Current	110-240V AC
Connection details	Parallel (supply "P")
Installation	Wall mounted
Weight	1.100kg
Supply	100-240V AC(43-60Hz)
Wiring	Junction in supply box
Control Gear	In-built
LED Module	High-power LEDs on metal-core PCB, Collimating lens made of optical polymer/pmma
Anti-Glare	Option
Electrical Protection	EMC, Inrush current
Working Temperature	-20°C - +50°C
Lumen	490 lm/Window

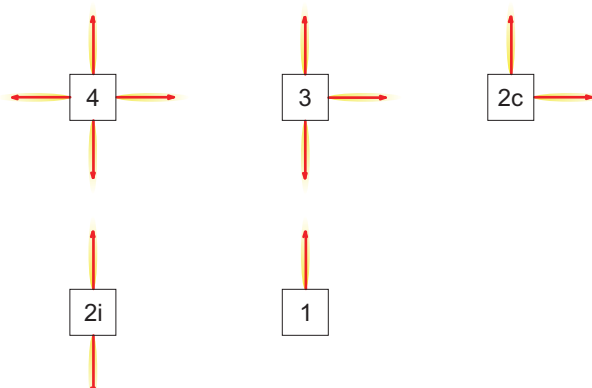


FINISHING

Materials	Heavy duty die cast aluminium
Finishing	Anodizing Black
Diffuser	PMMA Diffuser
Color	White, Black, Grey



DIRECTION OPTIONS



Family	Type	DIRECTION	WATT	CCT	Optics	Finish	Power	Dimming	Options
AR-Art	Q - Square	4	5W (Per window)	27-2700K	3 - 3°	WH - White	AC - 110-240V ac	ND - Non Dim	XXX
		3		30-3000K		BK - Black		DX - Dmx	
		2c		40-4000K		GR - Grey		DA - Dali	
		2i		60-6000K		XX - Custom		AN - 1-10V	
		1		RGB-RGB					
				RGBW - RGBW					

Sample: AR - Q - 4 - 5W - 27 - 3 - WH - AC - ND - XX