

Bright R1

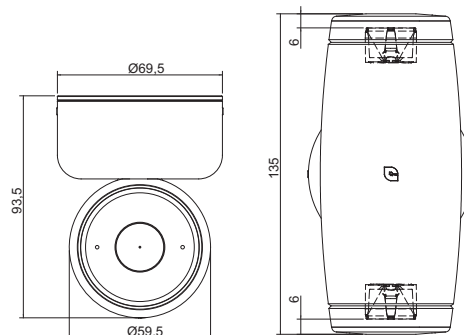
TECHNICAL DATA

Application	Surface mounted (wall)
Location	Outdoor
Light Source	LED
Optics	8°, 23°, 43°, 10°x41°
LED No.	2
LED Life time (L80B10)	50000 hours
Input Voltage / Current	230Vac
Connection details	Parallel Connection
Installation	Surface mounted
Weight	0,70Kg
Supply	230Vac
Wiring	Junction in supply box
Working Temperature	-20°C - +50°C



FINISHING

Materials	Aluminium body
Finishing	Anodized Aluminum (A), Black (B), Cor-ten (C)
Diffuser	Tempered Glass Diffuser



Family	Type	LED NO	WAT/LED	CCT	Optics	Finish	Power	Dimming	Options
BR-Bright	R1- Round	2(1+1)	3	27-2700K 30-3000K 40-4000K 50-5000K	8-8° 23-23° 43-43° 10°x41°	A - Anodized Aluminum B - Black C - Cor-ten X - Custom	AC - 230Vac	XXX	XXX
				RD-Red GR-Green BL-Blue 22-2200K XX- Custom					

Sample: BR - R1 - 2 - 3 - 27 - 8 - A - AC - XX - XX