

Curve Q1

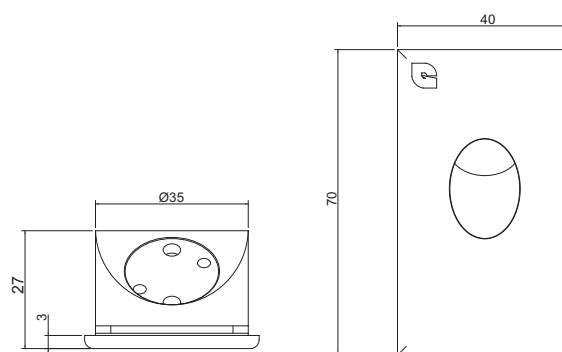
TECHNICAL DATA

Application	Recessed (wall)
Location	Outdoor
Light Source	LED
Optics	60°
LED No.	1
LED Life time (L80B10)	50000 hours
Input Voltage / Current	350mA /500mA
Connection details	Series Connection
Installation	Wall Recessed
Weight	0,06Kg
Supply	500mA
Wiring	Provided with 30cm PVC cable
Working Temperature	-20°C - +50°C



FINISHING

Materials	Aluminium body, PMMA diffuser
Finishing	Anodized Aluminum (A), White (W), Cor-ten (C)
Diffuser	PMMA Diffuser



Family	Type	LED NO	WAT/LED	CCT	Optics	Finish	Power	Dimming	Options
CV-Curve	Q1 - Square	1	1 2	27-2700K 30-3000K 40-4000K 50-5000K RD-Red GR-Green BL-Blue 22-2200K XX- Custom	60-60°	A - Anodized Aluminum W - White C - Cor-ten X - Custom	CC - 350 / 500mA	XXX	XXX
<div style="border: 1px solid black; padding: 2px; display: inline-block;">Sample: BR - Q1 - 1 - 1 - 27 - 60 - A - CC - XX - XX</div>									

ACCESSORIES

BOX96-Housing Box

