

# Beam R3

CE IP67 F III Kg 0,200



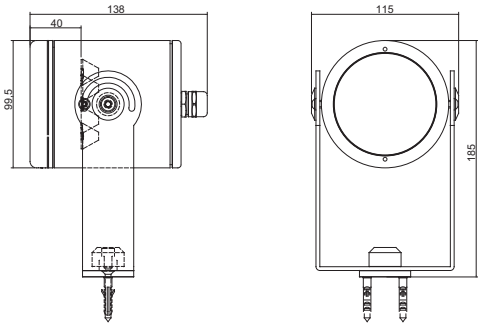
## TECHNICAL DATA

Application	Surface mounted ( Ceiling, Wall, Floor)
Location	Outdoor
Light Source	LED
Optics	8°, 23°, 43°, 10°x41°
LED No.	6
LED Life time (L80B10)	50000 hours
Input Voltage / Current	24Vdc, 230Vac
Connection details	Parallel (supply "P")
Installation	Surface mounted (Ceiling, Wall, Floor)
Weight	1,560Kg
Supply	24Vdc, 230Vac
Wiring	Provided with 150cm neoprene cable
Working Temperature	-10°C - +50°C



## FINISHING

Materials	Anodized aluminium body and bracket tempered glass diffuser
Finishing	Anodized Aluminum (A), Black (B), Custom (X)
Diffuser	Tempered Glass



Family	Type	LED NO	WAT/LED	CCT	Optics	Finish	Power	Dimming	Options
BM-Beam	R3 - Round	6	1	27-2700K	8-8°	A - Anodized Aluminum	CV - 24VDC	N - None	HCL - Honey Comb Louver
			2	30-3000K	23-23°	B - Black	AC - 230VAC		
				40-4000K	43-43°	X - Custom			SNT - Snoot
				50-5000K	10°x41°				
Sample: BM - R3 - 6 - 1 - 27 - 8 - A - CV - N - HCL				RD-Red					
				GR-Green					
				BL-Blue					
				22-2200K					
				XX- Custom					

## ACCESSORIES

SPK -Spike

Gel Connector

Optional



5625/1121



Micro Paguro



HCL - Honey Comb Louver



SNT - Snoot

