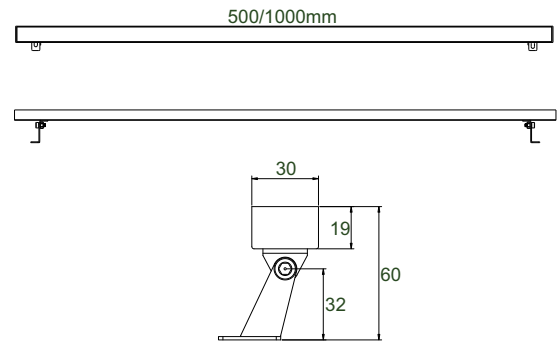


Aqua L



TECHNICAL DATA

| | |
|-------------------------|---|
| Application | Surface mounted (Ceiling, Wall, Floor) |
| Location | Underwater |
| Light Source | LED |
| Optics | 10°, 15°, 20°, 30°, 45°, 60°, 10°x30°, 10°x45°, 10°x60° |
| LED No. | 18 LEDs per meter, 24 LEDs per meter |
| LED Life time (L80B10) | 50000 hours |
| Input Voltage / Current | 24Vdc |
| Connection details | Parallel |
| Dimension | 500, 1000 x 30x 60mm(custom) |
| Installation | Surface mounted (Ceiling, Wall, Floor) |
| Weight | 2,250Kg |
| Supply | 24Vdc |
| Wiring | Provided with 50cm neoprene cable |
| Working Temperature | -35°C - +55°C |



FINISHING

| | |
|-----------|---|
| Materials | Ss304 & SS316 316L Stainless steel trim, tempered glass diffuser |
| Finishing | SS surface mercerizing treating technology |
| Diffuser | Clear Tempered Glass |

| Family | Type | LED NO | WATT | CCT | Optics | Finish | Power | Dimming | Options |
|-----------|------------|--------|------|------------|-----------------|------------|------------|--------------|---------|
| AQ-Aqua L | L - Linear | 18 | 18 | 25-2500K | 10-10° | BK - Black | CV - 24VDC | ND - Non Dim | XXX |
| | | | 24 | 24 | 27-2700K | 15-15° | | | |
| | | | | 30-3000K | 20-20° | GR - Grey | | | |
| | | | | 40-4000K | 30-30° | GL - Gold | | | |
| | | | | 50-5000K | 45-45° | WH - White | | | |
| | | | | 65-6500K | 60-60° | | | | |
| | | | | XX- Custom | 10x30 - 10°x30° | | | | |
| | | | | 50-5000K | 10x45 - 10°x45° | | | | |
| | | | | 65-6500K | 10x60 - 10°x60° | | | | |
| | | | | XX- Custom | | | | | |

Sample: AQ - L - 18 - 18 - 25 - 10 - BK - CV - ND - XX