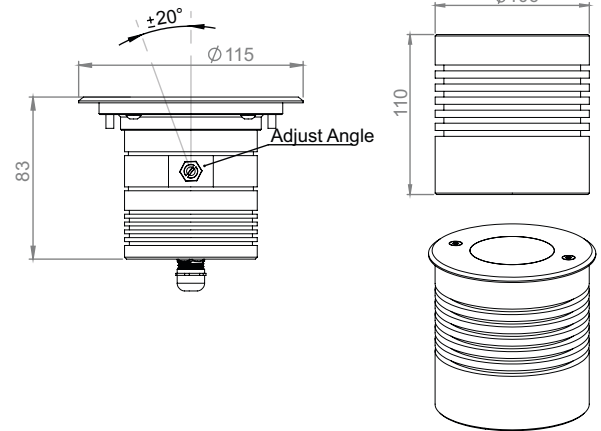


AXIS R7.0



TECHNICAL DATA

| | |
|-------------------------|--|
| Application | Floor / Wall Recessed Spot Light |
| Location | Indoor / Outdoor |
| Light Source | LED |
| Optics | 15°, 24°, 36°, 45°, 60° |
| LED No. | 1 |
| LED Life time (L80B10) | 50000 hours |
| Input Voltage / Current | 24VDC |
| Connection details | Parallel (supply "P") |
| Installation | Recessed (Wall, Floor) Brick work installation with housing box (not included) Panel installation with torsion spring (not included) |
| Weight | 1.300kg |
| Supply | 24VDC |
| Wiring | Provided with 50cm neoprene cable |
| Control Gear | In-built |
| LED Module | High-power LEDs on metal-core PCB, Collimating lens made of optical polymer/pmma |
| Anti-Glare | Option |
| Electrical Protection | EMC, Inrush current |
| Working Temperature | -20°C - +50°C |



FINISHING

| | |
|-----------|---|
| Materials | Aluminum Anode, Face Stainless Steel tempered glass diffuser |
| Finishing | Anodized Aluminum (A), Worked Steel (I), Satinized Steel(S), Anodized Black (J) |
| Color | Matte Steel |
| Diffuser | Tempered Glass |

| Family | Type | LED NO | WATT | CCT | Optics | Finish | Power | Dimming | Options |
|---|--------------|--------|------|--|--|------------------|-------|----------|---------|
| AX- Axis | R7.0 - Round | 1 | 7 | 27-2700K 30-3000K 40-4000K 50-5000K 60-6000K | 15 - 15° 24 - 24° 36 - 36° 45 - 45° 60 - 60° | I - Worked Steel | CV | N - None | XXX |
| Sample: AX - R7.0 - 1 - 7 - 27 - 15 - I - CV - N - XX | | | | | | | | | |

CONNECTION DIAGRAM

