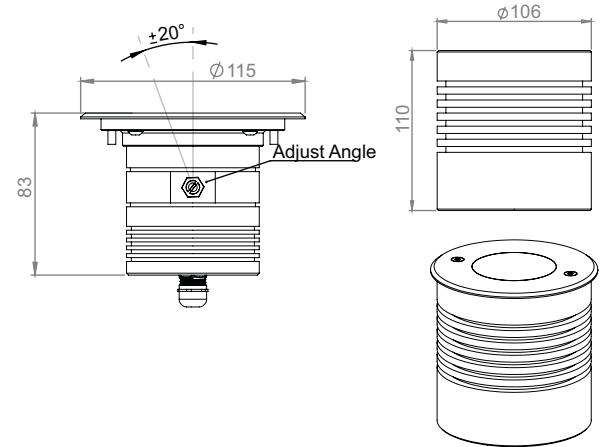


# AXIS R9.0



## TECHNICAL DATA

Application	Floor / Wall Recessed Spot Light
Location	Indoor / Outdoor
Light Source	LED
Optics	15°, 24°, 36°, 45°, 60°
LED No.	1
LED Life time (L80B10)	50000 hours
Input Voltage / Current	24VDC
Connection details	Parallel (supply "P")
Installation	Recessed (Wall, Floor) Brick work installation with housing box (not included) Panel installation with torsion spring (not included)
Weight	1.300kg
Supply	24VDC
Wiring	Provided with 50cm neoprene cable
Control Gear	In-built
LED Module	High-power LEDs on metal-core PCB, Collimating lens made of optical polymer/pmma
Anti-Glare	Option
Electrical Protection	EMC, Inrush current
Working Temperature	-20°C - +50°C



## FINISHING

Materials	Aluminum Anode, Face Stainless Steel tempered glass diffuser
Finishing	Anodized Aluminum (A), Worked Steel (I), Satinized Steel(S), Anodized Black (J)
Color	Matte Steel
Diffuser	Tempered Glass

Family	Type	LED NO	WATT	CCT	Optics	Finish	Power	Dimming	Options
AX- Axis	R9.0 - Round	1	9	27-2700K 30-3000K 40-4000K 50-5000K 60-6000K	15 - 15° 24 - 24° 36 - 36° 45 - 45° 60 - 60°	I - Worked Steel	CV	N - None	XXX
Sample: AX - R9.0 - 1 - 9 - 27 - 15 - I - CV - N - XX									

## CONNECTION DIAGRAM

