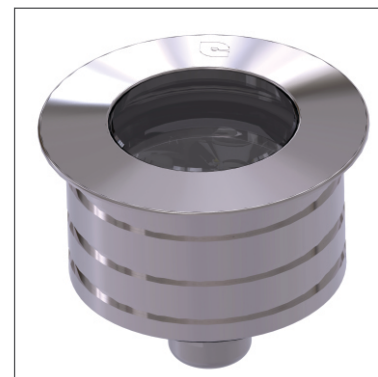


DEEP R2



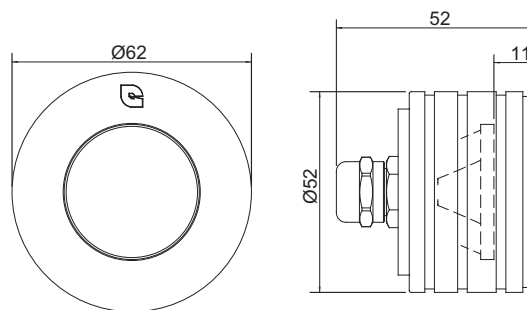
TECHNICAL DATA

Application	Floor / Wall Recessed Spot Light
Location	Indoor / Outdoor
Light Source	LED
Optics	7°, 23°, 43°, 7°x39°
LED No.	3
LED Life time (L80B10)	50000 hours
Input Voltage / Current	350 mA / 500 mA
Connection details	Parallel Connection
Installation	Recessed (Ceiling, Wall, Floor) Brick work installation with housing box (not included) Panel installation with torsion spring (not included)
Weight	Finish A, J : 0,25kg Finish I, S : 0.34kg
Installation hole	Ø53mm(with springs) - Ø62mm(with housing box)
Supply	24Vdc
Wiring	Provided with 150cm neoprene cable
Working Temperature	-20°C - +50°C



FINISHING

Materials	Anodized aluminium body, anodized aluminum or AISI 316L Stainless steel trim, tempered glass diffuser
Finishing	Anodized Aluminum (A), Worked Steel (I), Satinized Steel(S), Anodized Black (J)
Color	Matte Steel
Diffuser	Tempered Glass

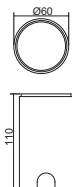
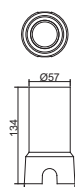


Family	Type	LED NO	WAT/LED	CCT	Optics	Finish	Power	Dimming	Options
DP-Deep	R2 - Round	3	1	27-2700K	7-7°	A - Anodized Aluminum	CC (350mA/500mA)	N - None	XXX
			2	30-3000K	23-23°	I - Worked Steel			
				40-4000K	43-43°	S - Satinized Steel			
				50-5000K	7°x23°				
				RD-Red					
				GR-Green					
				BL-Blue					
				22-2200K					
				XX- Custom					

Sample: DP - R2 - 3 - 1 - 27 - 7 - A - CC - N - HM

ACCESSORIES

CAW32-Casing Polypropylene Water Stop	CAS32-Casing Polypropylene	SPR32	Gel Connector	Optional
---------------------------------------	----------------------------	-------	---------------	----------



XXX