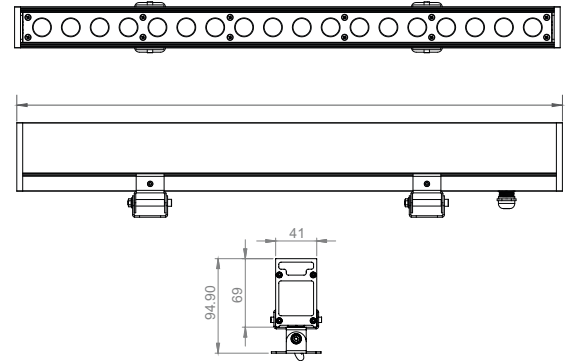
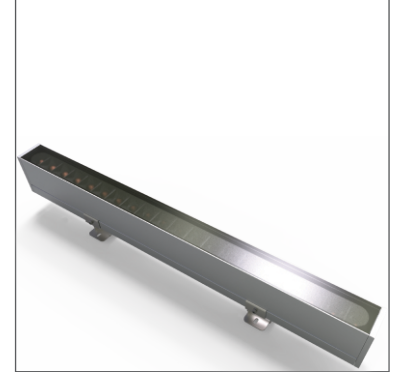


Eclipse Linear

TECHNICAL DATA

Application	Surface mounted (Ceiling, Wall, Floor)
Location	Outdoor
Light Source	LED
Optics	5°, 10°, 15°, 24°, 36°, 60°, 90°, 10° x 90°, 20° x 40°
LED Life time (L80B10)	50000 hours
Input Voltage / Current	100-240V AC / 24 / 48VDC
Control Gear	In-built
Connection details	Parallel Connection
Installation	Surface mounted (Ceiling, Wall, Floor)
Weight	2,6Kg
Dimension	L1000 x W 41 x H 69mm
Supply	100-240V AC, 24/48V DC
LED Module	High-power LEDs on metal-core PCB. Collimating lens made of optical polymer/pmma
Anti-Glare	Option
Electric Protection	EMC, inrush current
Working Temperature	-25°C - +50°C



FINISHING

Materials	Die-cast aluminium
Finishing	White /Grey
Diffuser	Tempered Glass

Family	LENGTH	WATT / Mtr	CCT	Optics	Finish	Power	Dimming	Options
EC-Eclipse Linear	100 - 1000mm	18 - 18W	22 - 2200K	5 - 5°	WH - White	24 - 24V	ND - Non Dim	
		24 - 24W	27 - 2700K	10 - 10°	GR - Grey	48 - 48V	DX - Dmx	
		36 - 36W	30 - 3000K	15 - 15°				
		40 - 40W	40 - 4000K	24 - 24°				
			50 - 5000K	36 - 36°				
			60 - 6000K	60 - 60°				
			RGB - RGB	90 - 90°				
			RGBW - RGBW	10x90 - 10°x90°				
			XX - Custom	20x40 - 20°x40°				

Sample: EC - 100 - 18 - 22 - 5 - WH - 24 - ND

**Standard Non Dimmable only
DALI / 1-10V as custom
DMX only for RGB / RGBW

**Standard length available -1000mm
Custom length discuss with factory