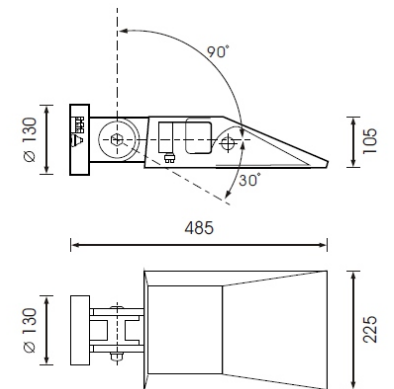


# TIFFANY

## TECHNICAL DATA

Application	Wall Mounted Flood light
Location	Outdoor
Light Source	LED
Optics	10°, 25°, 40°, 60°, Asymmetric
LED Life time	50000 hours
Input Voltage / Current	AC 100-305V
Connection details	Parallel Connection
Installation	Wall
Supply	AC100-305V
Wiring	Provided with 30cm PVC cable
Working Temperature	-30°C - +50°C
Lumen	120lm/W @ 4000K



## FINISHING

Materials	Heavy Duty Die Cast Aluminium body
Finishing	Black (B), White(W), Grey(G)

Family	WATT	CCT	Optics	Finish	Power	Dimming	Options
TF - Tiffany	30 - 30W	27-2700K	10-10°	B - Black	AC - AC100-305V	N - None	XXX
	40 - 40W	30-3000K	25-25°	W - White			
	50 - 50W	40-4000K	40-40°	G - Grey			
		50-5000K	60-60°	A - Asymmetric			

Sample: TF - 30 - 27 - 10 - B - AC - N - XX