

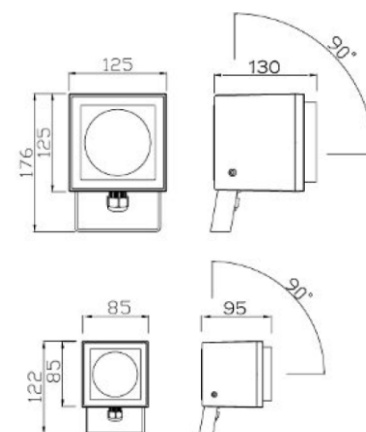
TECHNICAL DATA

Application	Ground mounted spike
Location	Outdoor
Light Source	LED
Optics	Narrow, Medium, Wide
LED Life time	50000 hours
Input Voltage / Current	AC 100-240V / DC24V
Connection details	Parallel Connection
Installation	Ground Mounted
Supply	AC100-240V / DC24V
Wiring	Provided with 30cm PVC cable
Working Temperature	-25°C - +50°C
Lumen	90-95lm
CRI	80+



FINISHING

Materials	Heavy Duty Die Cast Aluminium body
Finishing	Black (B), White(W), Grey(G)



Family	WATT	CCT	Optics	Finish	Power	Dimming	Options
TO - Tomford	9 - 9W 22 - 22W	27-2700K 30-3000K 40-4000K 50-5000K	N - Narrow M - Medium W - Wide	B - Black W - White G - Grey	AC - AC100-240V DC - DC24V	D - Dimmable	XXX

Sample: TO - 8 - 27 - N - B - AC - D - XX

ACCESSORIES

