

# SPLASH-R



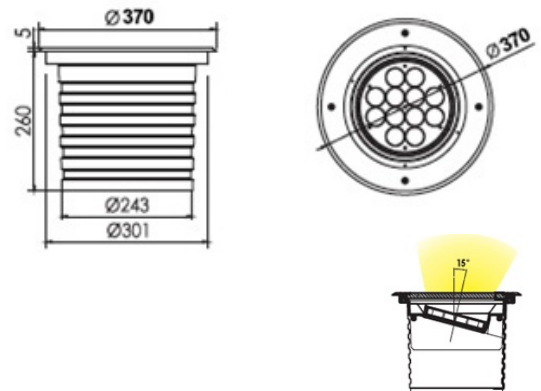
## TECHNICAL DATA

Application	Floor / Wall Recessed Up Light
Location	Indoor / Outdoor
Light Source	LED
Optics	5°, 8°, 12.5°, 20°, 30°, 45°, 60°, 15x30°, 10x60°
LED No.	12
LED Life time (L80B10)	50000 hours
Input Voltage / Current	AC100-240V
Connection details	Parallel Connection
Installation	Recessed (Wall, Floor) Brick work installation with housing box (not included) Panel installation with torsion spring (not included)
Installation hole	Ø301mm
Supply	240Vac
Wiring	Provided with 150cm neoprene cable
Working Temperature	-25°C - +50°C



## FINISHING

Materials	316L Stainless steel trim, tempered glass diffuser
Finishing	Anodized Aluminum (A), Worked Steel (I), Satinized Steel(S)
Color	Matte Steel
Diffuser	Tempered Glass



Family	Type	LED NO	WATT/LED	CCT	Optics	Finish	Power	Dimming	Options
SP-Splash	R - Round	12	2	27-2700K	5 - 5°	A - Anodized Aluminum	AC - AC100-240V	N - None	XXX
				30-3000K	8 - 8°	I - Worked Steel			
				40-4000K	12.5 - 12.5°	S - Satinized Steel			
				60-6000K	20 - 20°				
				RGB	30 - 30°				
				XX- Custom	45 - 45°				
					60 - 60°				
					15x30 - 15x30°				
					10x60 - 10x60°				

## ACCESSORIES