

# Circle R

CE IP68



Kg 0,820

Kg 500



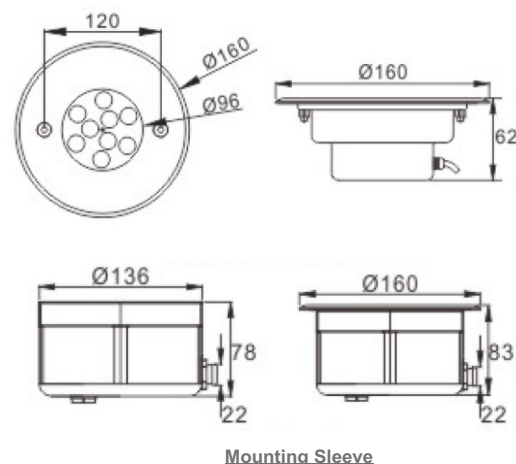
## TECHNICAL DATA

Application	Floor / Wall Recessed Spot Light
Location	Indoor / Outdoor
Light Source	LED Cree, Epistar
Optics	15°, 30°, 45°, 60°
LED Life time (L80B10)	50000 hours
Input Voltage / Current	AC/DC12V/24V
Connection details	Parallel (supply "P")
Installation	Recessed (Wall, Floor) Brick work installation with housing box (not included)
Supply	AC/DC12V/24V
Wiring	Provided with 50cm neoprene cable
LED Module	High-power LEDs on metal-core PCB, Collimating lens
Working Temperature	-20°C - +50°C



## FINISHING

Materials	Face Stainless Steel 316L# / 304L# Full Stainless Steel, tempered glass diffuser
Finishing	Stainless Steel(SS)
Color	Stainless Steel
Diffuser	Tempered Glass



Mounting Sleeve

Family	Type	WATT	CCT	Optics	Finish	Power	Dimming	Options
CL - Circle	R - Round	6 - 6W	27-2700K	15 - 15°	SS - Satinized Steel	DC - 12/24Vdc AC - 12/24V ac	TR - Triac AN - 1-10V DA - Dali DM - DMX512	XX - XXX
		9 - 9W	30-3000K	30 - 30°				
		10 - 10W	40-4000K	45 - 45°				
		12 - 12W	50-5000K	60 - 60°				
		18 - 18W	60-6000K RGB-RGB	60 - 60°(10W)				

Sample: CL - R - 6 - 27 - 15 - SS - DC - TR - XX